

iNS Transient Suppression Module

Kentec is proud to announce the launch of its iNS Transient Suppression Module


Product info

iNS Transient Suppression Module The presence of transients across or over a fire alarm network can cause significant damage to fire alarm panels connected on the network. Damage can be instant i.e. circuit board failures, or it can be latent i.e. equipment may continue to work but with degradation to the expected lifetime. The TSM-100 Transient Suppression Module can be installed on RS485 networks to prevent these electrical transients causing unnecessary damage to fire alarm panels on the network. TSM-100 modules can also be used as a signal repeater/booster to extend RS485 communication distances.

iNS Remote Interface Modules		
Brief Description	USP's	Release Criteria
<ul style="list-style-type: none"> • Din-rail mount module providing protection of data lines on fire panel network 	<ul style="list-style-type: none"> • 2.5kV Galvanic isolation into RS-485 path • Protection against Electrostatic Discharge (ESD) • Protection against fast low energy transients (EFT) • Protection against slow high energy transients (Surge) • Protection against RS-485 Signal Overdrive • Protected and isolated Power Supply • RS-485 repeater/booster • Can be used with Ins Network Analysers DNX-A-2R-K & DNX-R-2F/FC-K • Can be used stand alone on RS485 data line 	

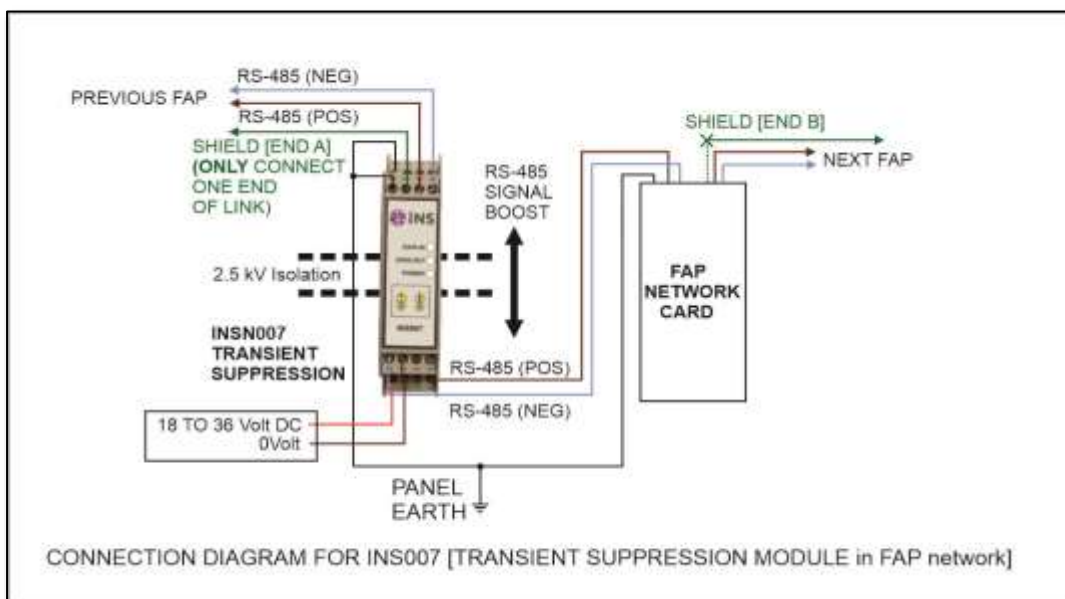
Bulletin no. PR1067/082020 Rev 1

Products

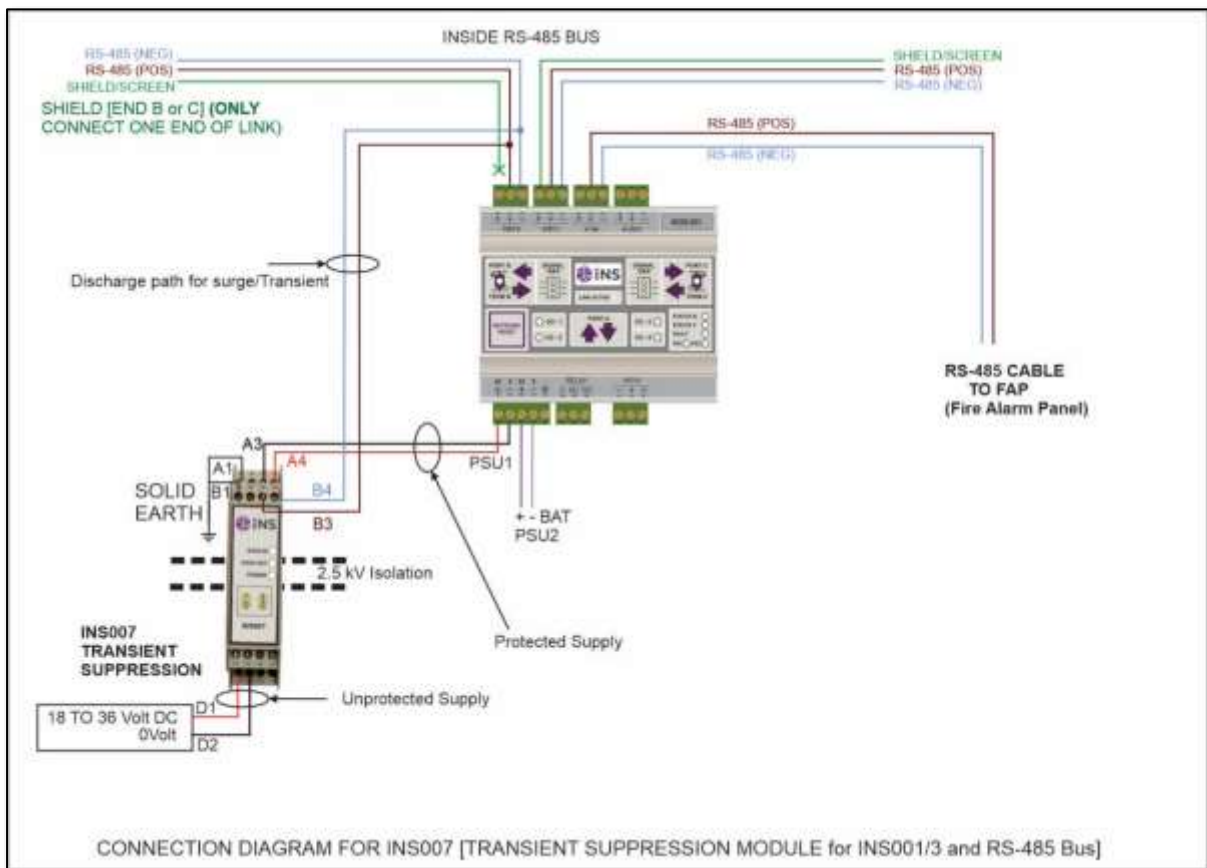
Brief Description	Release Information							
<p>RIM100M-3-K I/O module</p> 	<ul style="list-style-type: none"> • RS485 Data in – Data out connection • DIN -rail mount • 12 to 36V DC supply required • 2.5kV Galvanic isolation on RS-485 ports • ESD Protection – Level 4 (8kV Contact and 15kV Air) EN 61000-4-2 • EFT Protection – Level 4 (4kV power port, 2kV signal port) EN 61000-4-4 • - Surge Protection – Level unspecified (6kV) EN 61000-4-5 • - Continuous supply Current (IDC) at Protected PSU OUT Supply = 1.1 Amp / fused at 2.2 Amp • Can be used to repeat/boost RS485 signals 							
<table border="1"> <thead> <tr> <th>Product</th> <th>List Price</th> <th>Release Date</th> </tr> </thead> <tbody> <tr> <td>RIM100M-3-K</td> <td>£566.00</td> <td>19/08/2020</td> </tr> </tbody> </table>	Product	List Price	Release Date	RIM100M-3-K	£566.00	19/08/2020		
Product	List Price	Release Date						
RIM100M-3-K	£566.00	19/08/2020						

Typical connection diagrams

2.5kV Galvanic isolation and ESD, EFT and Surge Protection into an RS-485 communication path



Protected PSU, 2.5kV Galvanic isolation and ESD, EFT and Surge Protection into an RS-485 communication path



Documentation

Is available on the [Marketing Intranet](#) and the [Kentec website](#)

- | | |
|------------|--|
| Brochure | iNS Brochure |
| Datasheets | TSM100-K |
| Manuals | TSM Installation manual
TSM Quick Start Guide |