

Technical Bulletin

Signifire Control Panels - DCI Default Quantity Setting TB 1019

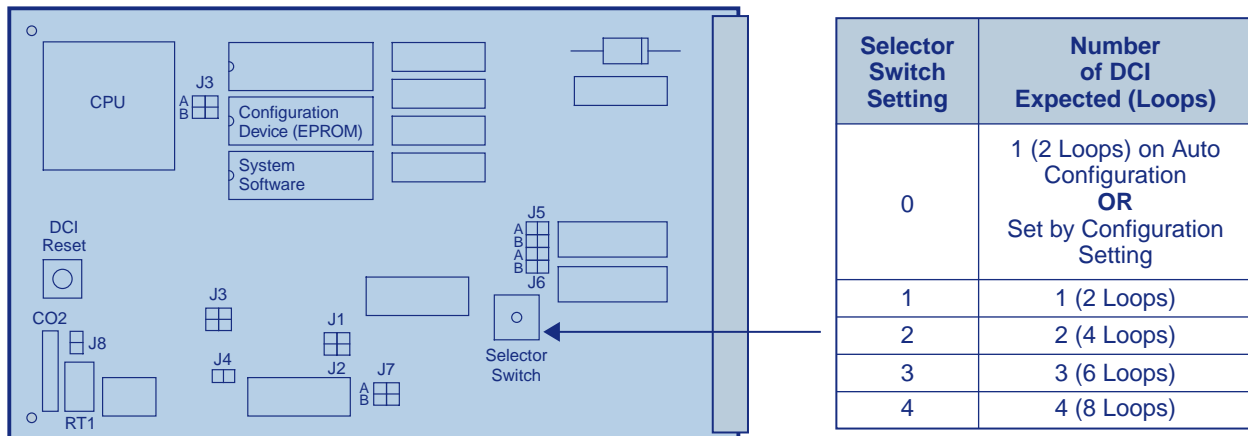
The Kentec Signifire range of control panels is available in 2, 4, 6 or 8 loop versions.

These panels are designed using a modular concept whereby each panel must have at least the following components;

- Display PCB
- MCPU - Main processing PCB fitted to the rear of the display PCB
- Panel input / output termination PCB
- DCI - Dual circuit interface PCB to provide two detection loops
- Power supply / charger unit

In the case of a 2 loop control panel, a single DCI PCB will be installed, in a 4 loop panel there are two DCIs, 3 in a 6 loop and 4 in an 8 loop panel.

The number of DCIs fitted in the control panel is usually defined in the configuration program "panel setting" section. However, there is also a "DCI Fitted" rotary selection switch installed on the MCPU PCB installed on the back of the display PCB. This switch is used to define the number of DCI fitted in accordance with the table below.



In a panel that has been auto configured, if the selector switch is set to "0" then the panel will only "look" for the first DCI (2 loops). All other DCI will not be initialised and any devices installed will not be active.

It should be noted that this would only apply to an auto configured panel and does not apply to panels that have a configuration file installed.

It is recommended that the rotary selection switch position for 4, 6 and 8 loop panels is checked and if set to zero, should be adjusted in accordance with the table settings above.

This amendment will ensure that, in the unlikely event that the configuration information file is lost, the panel will auto configure with all detection loops enabled.