

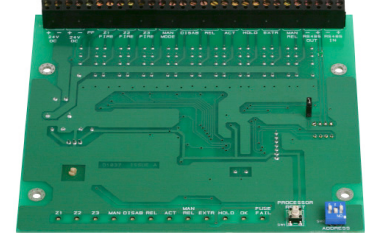


SIGMA A-XT ANCILLARY PCB

Extinguishant Ancillary PCB

Features

- ▶ Two-wire serial connection
- ▶ Up to seven per system
- ▶ Volt-free relay outputs for fire and releasing system status
- ▶ Relay operated LED indicators
- ▶ UL864 and FM listed



Description

The Sigma A-XT Ancillary Board is compatible with all Sigma A-XT control panels. The board provides volt-free normally open contacts, enabling control of sub systems and plant remotely from the main panel over a two-wire data bus.

Ancillary boards require only a two-core data cable from the main control panel and a two-core power cable from the main panel.

Up to seven ancillary boards can be connected to a control panel and each is allocated to an address from one to seven using a binary coded DIL switch. The total length of the data cable from the main panel to the last repeater must not exceed 4000 feet.

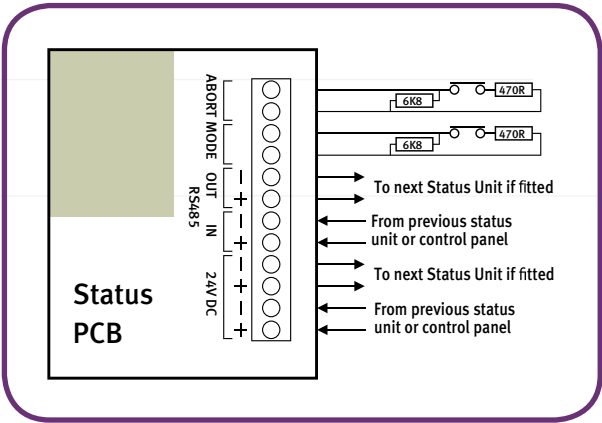
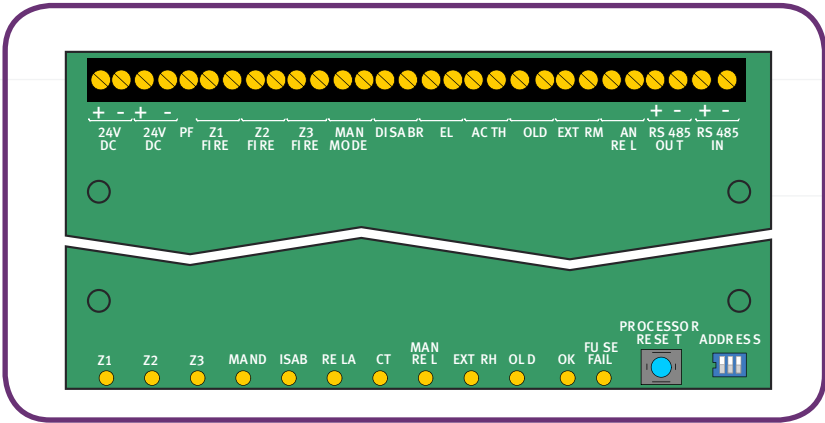
A mixture of status units and Ancillary boards, up to a maximum of seven of each type, can be connected to the serial data bus.

Specification

Construction (Boxed)	1.2mm mild sheet steel
IP Rating (Boxed)	IP30
Colour- lid & box	Red (optional grey)
Supply voltage	20-30v DC
Contact ratings	30V DC1 Amp
Cable capacity	2.5mm ² per terminal
Operating temperature	-5c to +50c
Operating humidity	<95% (non condensing)

Panels

Product Code	Description	Size (mm)
K1822-00	Sigma A-XT Ancillary Board	155 x 136
K1822-10	Sigma A-XT Ancillary Board with cabinet-red	385 x 310 x 90
K1822-40	Sigma A-XT Ancillary Board with cabinet-grey	385 x 310 x 90



Example System Schematic

